

STAINLESS STEEL WORKTABLES

TCF3-SERIES— WORKTABLE W/ REAR TURN-UP, UNDERSHELF & CASTERS

PROJECT#: _____

ITEM# _____

MODEL# _____

SPECIFICATIONS:

ECONOMY— ETCF3-Series: 400 Series Stainless Top & 400 Series Stainless Undershelf

TOP: 16 GA.
400 Series Stainless

SHELF: 18 GA.
400 Series Stainless

LEGS: 1 5/8" Diameter
Tubular Stainless Steel

REINFORCING: Formed Channel Fastened to
Top. Legs Welded to Channel

STANDARD— STCF3-Series: 300 Series Stainless Top & 300 Series Stainless Undershelf

TOP: 16 GA.
300 Series Stainless

SHELF: 18 GA.
300 Series Stainless

LEGS: 1 5/8" Diameter
Tubular Stainless Steel

REINFORCING: Formed Channel Fastened to
Top. Legs Welded to Channel

HEAVY DUTY— HTCF3-Series: 300 Series Stainless Top & 300 Series Stainless Undershelf

TOP: 14 GA.
300 Series Stainless

SHELF: 16 GA.
300 Series Stainless

LEGS: 1 5/8" Diameter
Tubular Stainless Steel

REINFORCING: Formed Channel Fastened to
Top. Legs Welded to Channel

CONSTRUCTION:

- ◆ All Table Connection Points Fully Welded for Maximum Rigidity and Long Life
- ◆ Sound Deadening Between Top and Reinforcing Channel
- ◆ S/S Undershelf Welded to Legs
- ◆ Table is Polished to #3 Finish
- ◆ Working Height 36"
- ◆ Casters Rated at 250 Lbs each.

ECONOMY - ETCF3 - SERIES						
24" WIDE	QTY	30" WIDE	QTY	36" WIDE	QTY	LENGTH (INCHES)
ETCF3-2424		ETCF3-3024		ETCF3-3624		24
ETCF3-2430		ETCF3-3030		ETCF3-3630		30
ETCF3-2436		ETCF3-3036		ETCF3-3636		36
ETCF3-2442		ETCF3-3042		ETCF3-3642		42
ETCF3-2448		ETCF3-3048		ETCF3-3648		48
ETCF3-2454		ETCF3-3054		ETCF3-3654		54
ETCF3-2460		ETCF3-3060		ETCF3-3660		60
ETCF3-2466		ETCF3-3066		ETCF3-3666		66
ETCF3-2472		ETCF3-3072		ETCF3-3672		72
ETCF3-2478		ETCF3-3078		ETCF3-3678		78
ETCF3-2484		ETCF3-3084		ETCF3-3684		84
ETCF3-2490		ETCF3-3090		ETCF3-3690		90
ETCF3-2496		ETCF3-3096		ETCF3-3696		96
ETCF3-24102		ETCF3-30102		ETCF3-36102		102
ETCF3-24108		ETCF3-30108		ETCF3-36108		108
ETCF3-24114		ETCF3-30114		ETCF3-36114		114
ETCF3-24120		ETCF3-30120		ETCF3-36120		120

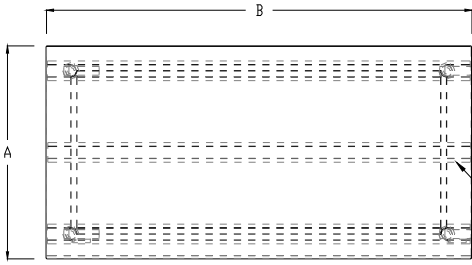
STANDARD - STCF3 - SERIES						
24" WIDE	QTY	30" WIDE	QTY	36" WIDE	QTY	LENGTH (INCHES)
STCF3-2424		STCF3-3024		STCF3-3624		24
STCF3-2430		STCF3-3030		STCF3-3630		30
STCF3-2436		STCF3-3036		STCF3-3636		36
STCF3-2442		STCF3-3042		STCF3-3642		42
STCF3-2448		STCF3-3048		STCF3-3648		48
STCF3-2454		STCF3-3054		STCF3-3654		54
STCF3-2460		STCF3-3060		STCF3-3660		60
STCF3-2466		STCF3-3066		STCF3-3666		66
STCF3-2472		STCF3-3072		STCF3-3672		72
STCF3-2478		STCF3-3078		STCF3-3678		78
STCF3-2484		STCF3-3084		STCF3-3684		84
STCF3-2490		STCF3-3090		STCF3-3690		90
STCF3-2496		STCF3-3096		STCF3-3696		96
STCF3-24102		STCF3-30102		STCF3-36102		102
STCF3-24108		STCF3-30108		STCF3-36108		108
STCF3-24114		STCF3-30114		STCF3-36114		114
STCF3-24120		STCF3-30120		STCF3-36120		120

HEAVY DUTY - HTCF3 - SERIES						
24" WIDE	QTY	30" WIDE	QTY	36" WIDE	QTY	LENGTH (INCHES)
HTCF3-2424		HTCF3-3024		HTCF3-3624		24
HTCF3-2430		HTCF3-3030		HTCF3-3630		30
HTCF3-2436		HTCF3-3036		HTCF3-3636		36
HTCF3-2442		HTCF3-3042		HTCF3-3642		42
HTCF3-2448		HTCF3-3048		HTCF3-3648		48
HTCF3-2454		HTCF3-3054		HTCF3-3654		54
HTCF3-2460		HTCF3-3060		HTCF3-3660		60
HTCF3-2466		HTCF3-3066		HTCF3-3666		66
HTCF3-2472		HTCF3-3072		HTCF3-3672		72
HTCF3-2478		HTCF3-3078		HTCF3-3678		78
HTCF3-2484		HTCF3-3084		HTCF3-3684		84
HTCF3-2490		HTCF3-3090		HTCF3-3690		90
HTCF3-2496		HTCF3-3096		HTCF3-3696		96
HTCF3-24102		HTCF3-30102		HTCF3-36102		102
HTCF3-24108		HTCF3-30108		HTCF3-36108		108
HTCF3-24114		HTCF3-30114		HTCF3-36114		114
HTCF3-24120		HTCF3-30120		HTCF3-36120		120



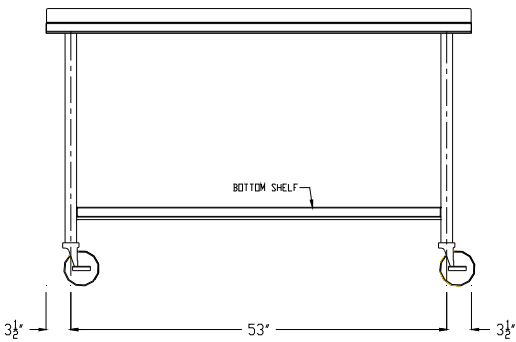
- Amtekco Industries - Columbus, OH —Phone: (800) 336-4677
- N. Wasserstrom & Sons - Columbus, OH —Phone: (800) 444-4697
- DCS IV - Peoria, AZ—Phone: (800) 592-3274
- GEN III - Fountain Inn, SC—Phone: (800)673-3339
- GKS - Garland, TX—Phone (972) 485-4579

PROJECT#: _____
 ITEM# _____
 MODEL# _____

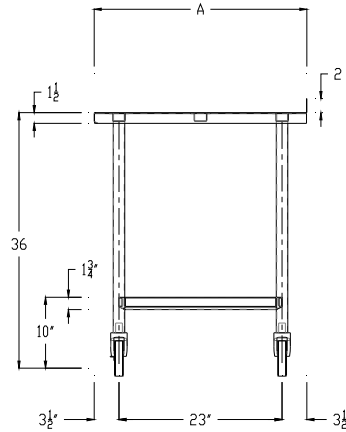


THIRD REINFORCING CHANNEL APPLIED ON TABLES 30" OR WIDER

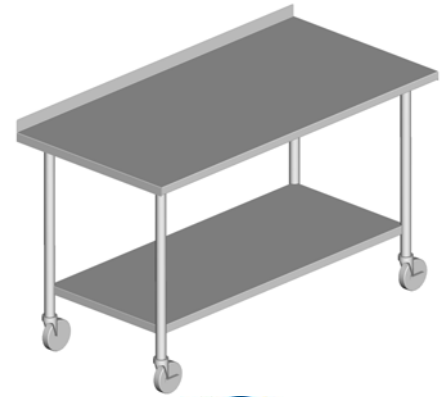
PLAN VIEW



ELEVATION



SIDE VIEW



◆ Tables At or Above 78" Will Require (3) Sets of Legs.

A WIDTH	B LENGTH	ETCF3 - SERIES 16 GA. 400 SERIES S/S TOP & 18 GA. 400 SERIES S/S UNDERSHELF	STCF3 - SERIES 16 GA. 300 SERIES S/S TOP & 18 GA. 300 SERIES S/S UNDERSHELF	HTCF3 - SERIES 14 GA. 300 SERIES S/S TOP & 16 GA. 300 SERIES S/S UNDERSHELF	#Of Legs	Product Weight (lbs)
24" WIDE						
24	24	ETCF3-2424	STCF3-2424	HTCF3-2424	4	42
24	30	ETCF3-2430	STCF3-2430	HTCF3-2430	4	45
24	36	ETCF3-2436	STCF3-2436	HTCF3-2436	4	50
24	48	ETCF3-2448	STCF3-2448	HTCF3-2448	4	61
24	60	ETCF3-2460	STCF3-2460	HTCF3-2460	4	71
24	72	ETCF3-2472	STCF3-2472	HTCF3-2472	4	82
24	84	ETCF3-2484	STCF3-2484	HTCF3-2484	6	94
24	96	ETCF3-2496	STCF3-2496	HTCF3-2496	6	114
24	108	ETCF3-24108	STCF3-24108	HTCF3-24108	6	131
24	120	ETCF3-24120	STCF3-24120	HTCF3-24120	6	148
30" WIDE						
30	24	ETCF3-3024	STCF3-3024	HTCF3-3024	4	45
30	30	ETCF3-3030	STCF3-3030	HTCF3-3030	4	49
30	36	ETCF3-3036	STCF3-3036	HTCF3-3036	4	52
30	48	ETCF3-3048	STCF3-3048	HTCF3-3048	4	68
30	60	ETCF3-3060	STCF3-3060	HTCF3-3060	4	79
30	72	ETCF3-3072	STCF3-3072	HTCF3-3072	4	92
30	84	ETCF3-3084	STCF3-3084	HTCF3-3084	6	105
30	96	ETCF3-3096	STCF3-3096	HTCF3-3096	6	126
30	108	ETCF3-30108	STCF3-30108	HTCF3-30108	6	146
30	120	ETCF3-30120	STCF3-30120	HTCF3-30120	6	165
36" WIDE						
36	24	ETCF3-3624	STCF3-3624	HTCF3-3624	4	47
36	30	ETCF3-3630	STCF3-3630	HTCF3-3630	4	55
36	36	ETCF3-3636	STCF3-3636	HTCF3-3636	4	64
36	48	ETCF3-3648	STCF3-3648	HTCF3-3648	4	75
36	60	ETCF3-3660	STCF3-3660	HTCF3-3660	4	88
36	72	ETCF3-3672	STCF3-3672	HTCF3-3672	4	104
36	84	ETCF3-3684	STCF3-3684	HTCF3-3684	6	120
36	96	ETCF3-3696	STCF3-3696	HTCF3-3696	6	139
36	108	ETCF3-36108	STCF3-36108	HTCF3-36108	6	164
36	120	ETCF3-36120	STCF3-36120	HTCF3-36120	6	188